

# CONCOURSE CSub

## ARCHITECTURAL SERIES DIFFUSE (DUAL) TWO WAY ENCLOSURE

### KEY FEATURES:

- ✓ Sub bass reflex ported round ceiling loudspeaker with a 10" long throw bass driver and passive low pass filter.
- ✓ 200watts program, 400watts peak
- ✓ Dual 8 ohm coils allow for 4ohm or 16ohm low impedance setting.
- ✓ Integral 60/30/15/7.5watt tap line transformer
- ✓ Integral four point mounts swivel out from the loudspeaker to allow simple installation from below the ceiling.
- ✓ Back box, 'C' clamp included
- ✓ Optional mud ring and mounting plate with integral electrical back box and conduit knockouts

### APPLICATIONS:

- ✓ Corporate meeting rooms
- ✓ Classrooms
- ✓ Training rooms
- ✓ Restaurants
- ✓ Retail outlets
- ✓ Hotels
- ✓ Health Clubs

### DESCRIPTION:

The QUAD Industrial Concourse CSub is a round ceiling sub bass loudspeaker with a 10" long throw LF and passive low pass filter. The Concourse CSub is intended for medium to large room applications requiring high quality speech reinforcement and/or background music.

The Concourse CSub has switch settings for 4 and 16 ohm low impedance, allowing efficient use of amplifier power and parallel looping connections with no transformer losses or signal degradation.

For distributed applications, the Concourse CSub has an integral transformer with selectable 70 or 100 volt settings and 60-30-15 watt tapplings.

The Concourse CSub includes a back box and 'C' ring for weight distribution on ceiling finishes. In addition, the Concourse CSub has an optional mud ring and ceiling tile mounting (with integral terminal box containing conduit knockouts).

All components (including grill) are attached to a steel tether, which in turn is attached to an external anchor point



### SPECIFICATIONS:

#### SYSTEM:

Power handling: 100watts continuous, 200watts program, 400watts peak

Recommended amplifier: 10-100watts

Impedance: Selectable 4 or 16 ohms nominal

Frequency response (-10dB): 28Hz-500Hz

Frequency response (+/-3dB): 43Hz-120Hz

Sensitivity: 80dB/1watt/1meter

Max SPL: 106dB

Transformer: 60-30-15-7.5 watt taps @ 70volt and 60-30-15watts @ 100volt

#### TRANSDUCERS:

LF Driver: 10" Cone, Dual Coil

Crossover Frequency: 150Hz LPF

#### PHYSICAL:

Type: ABS Baffle, powder coated aluminium grill, steel backcan

Material: ABS

Connector: Terminal strip

Dimensions (WxD): 371mm (dia) x 349mm

Nett Weight: 9.4kg



QUAD INDUSTRIAL

**STANDARD ACCESSORIES:**

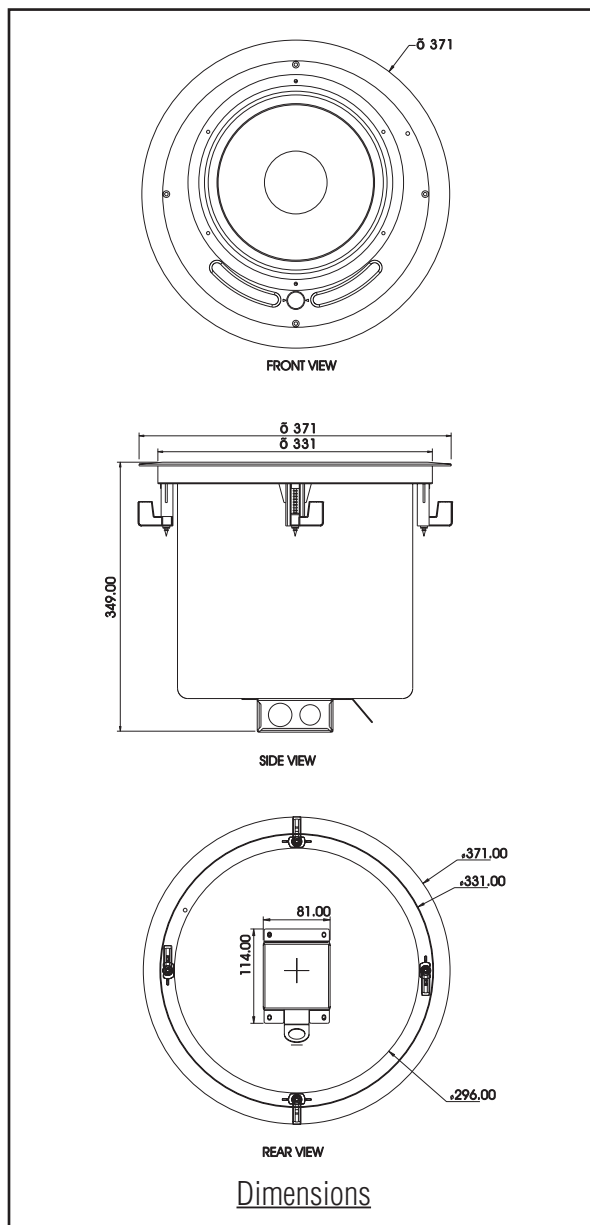
- Color: White with color matched grill cloth
- 'C' Clamp: A 'C' clamp is included with the loudspeaker to facilitate mounting on ceiling finishes.
- Tile bridge: Two 2ft/600mm rails are included with the loudspeaker for mounting on ceiling grids.
- Back box: Included with loudspeaker
- Mounting: Four swivel mounts which rotate away from the loudspeaker and clamp to the ceiling finish
- Transformer: 70/100 volt transformer included

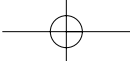
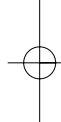
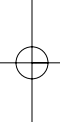
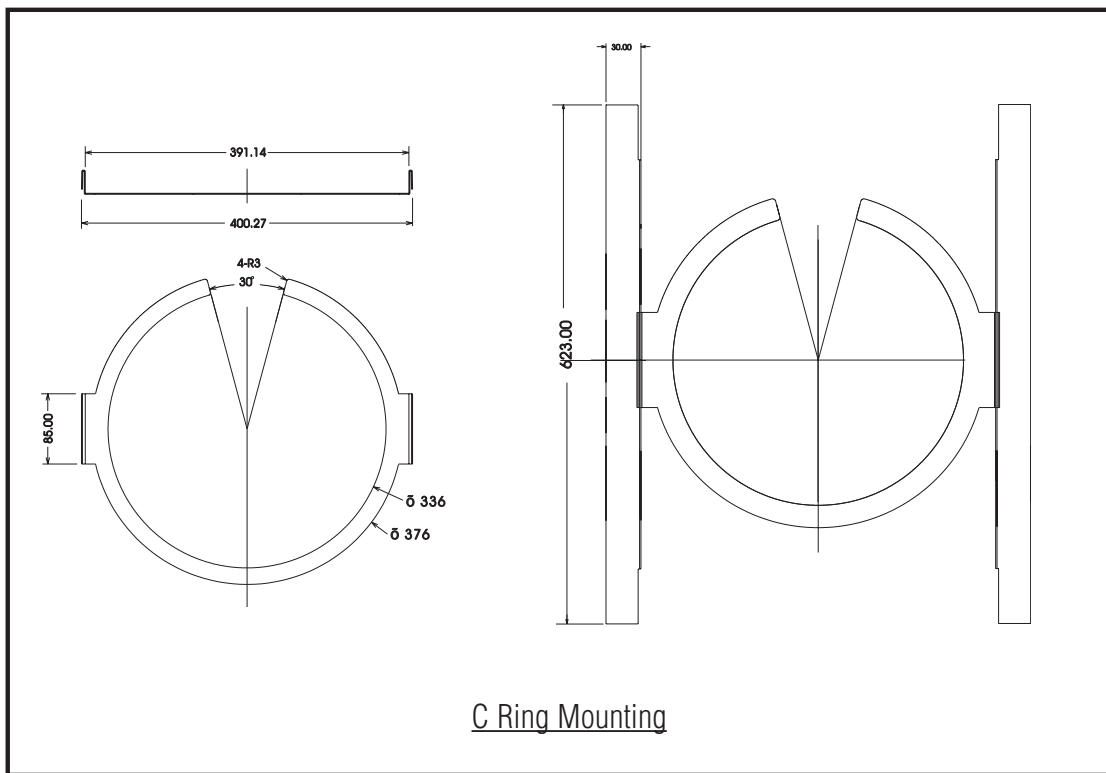
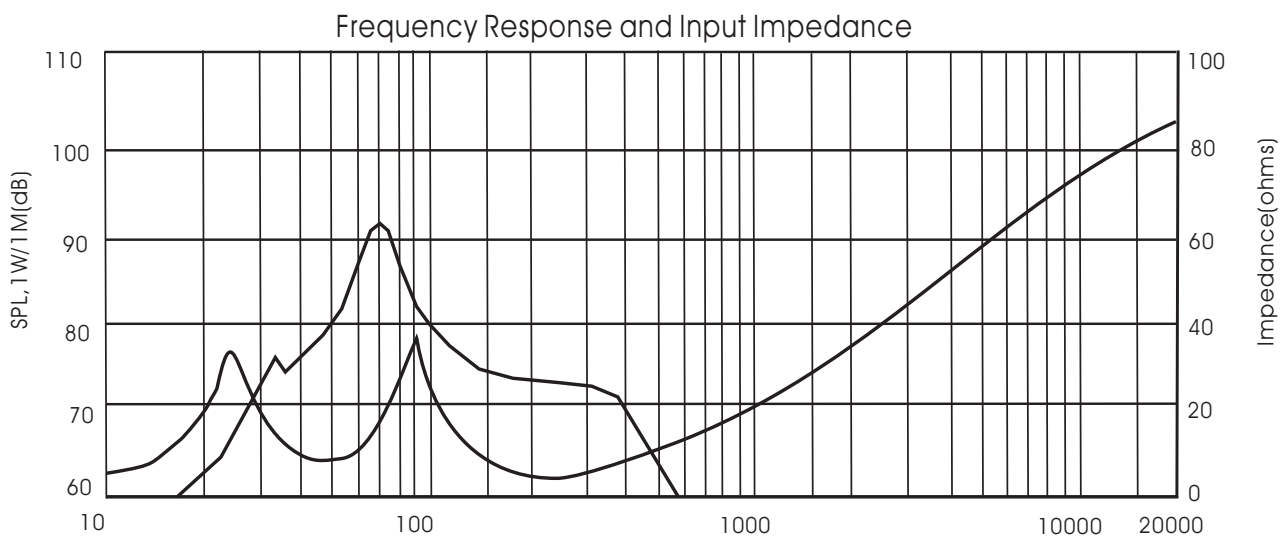
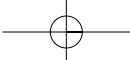
**OPTIONAL ACCESSORIES:**

- Mud ring: For gypsum ceiling installations prior to the loudspeaker
- Ceiling Plate: For secure installations prior to the ceiling finish. Also includes a termination box with conduit knockouts

**ARCHITECTURAL & ENGINEERING SPECIFICATIONS:**

- The loudspeaker shall consist of a 10" long throw low frequency driver with dual coils and internal low pass filter installed in a ported plastic grill with a rear back box and 'C' clamp and terminal strip connection.
- The loudspeaker shall have selectable 4 and 16 ohm impedance, as well as an integral transformer rated at 60-30-15-7.5 watt taps @ 70volts and 60-30-15 watt taps @100volts
- The loudspeaker shall have a color matched grill cloth to hide the transducers and switches.
- The loudspeaker shall have the following performance specifications:
  - Power, 100watts continuous
  - Sensitivity, 80 dB (1 watt, 1 meter)
  - Usable frequency response from 28Hz to 500Hz (-10 dB);





# CONCOURSE CSUB



QUAD INDUSTRIAL

IAG House, Sovereign Court,  
Ermine Business Park, Huntingdon. PE29 6XU  
Tel: +44 (0) 1480 447700 Fax: +44 (0) 1480 431767  
[www.quadindustrial.com](http://www.quadindustrial.com)